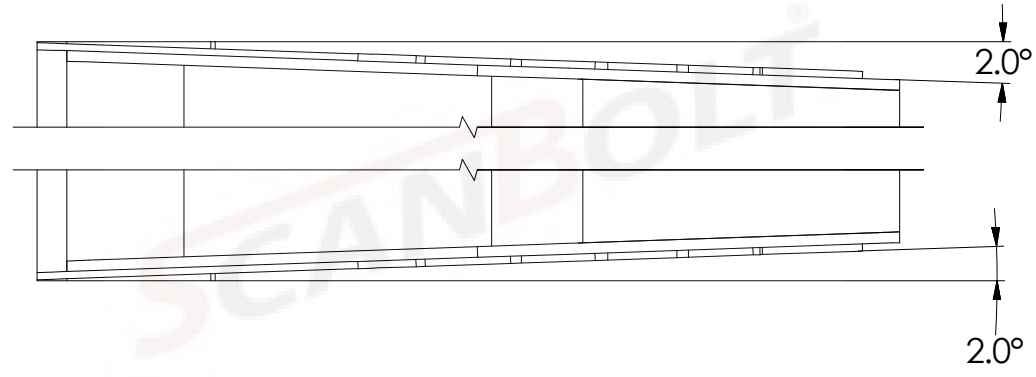
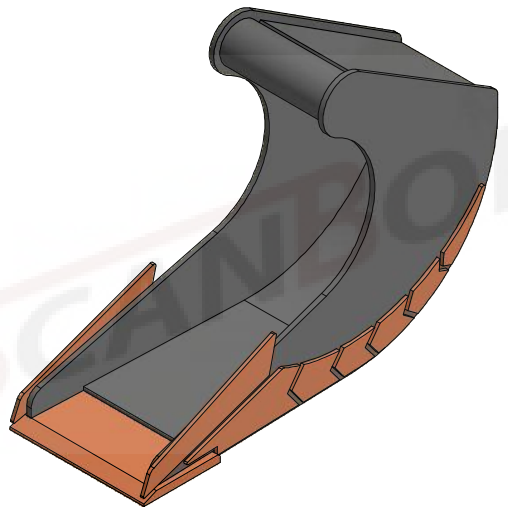


8 7 6 5 4 3 2 1

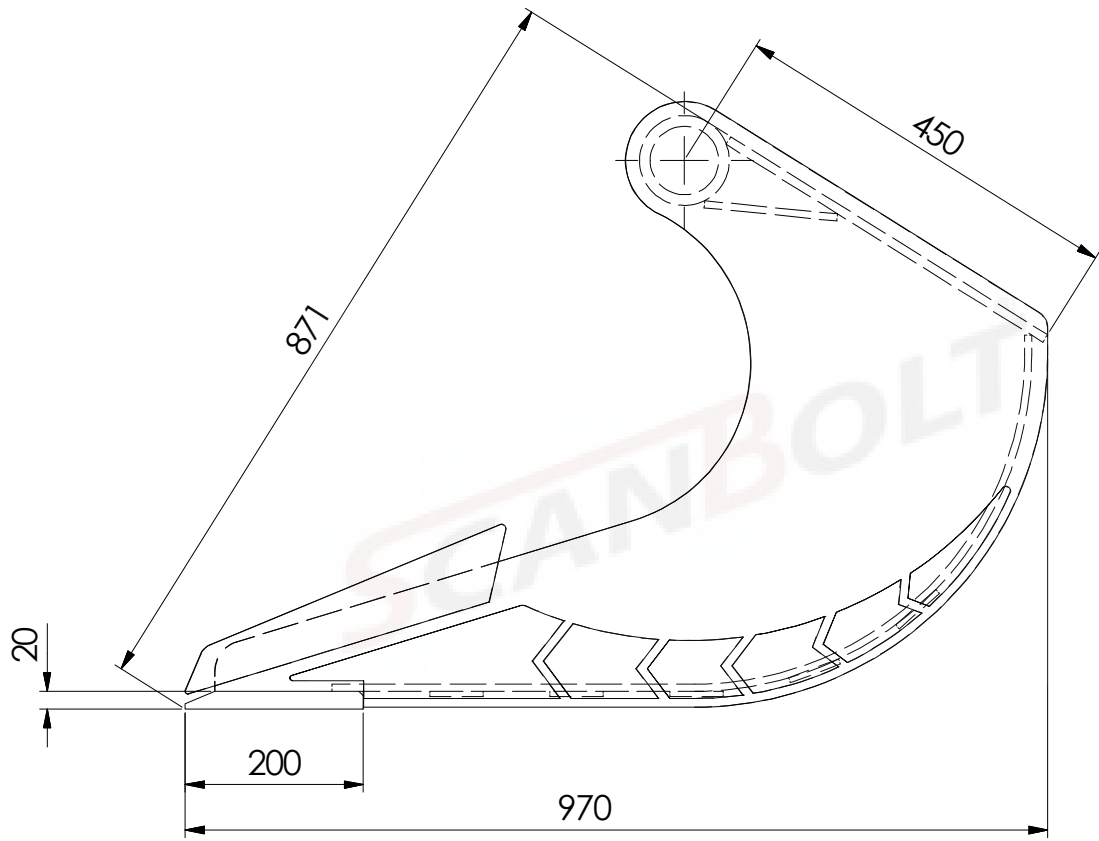
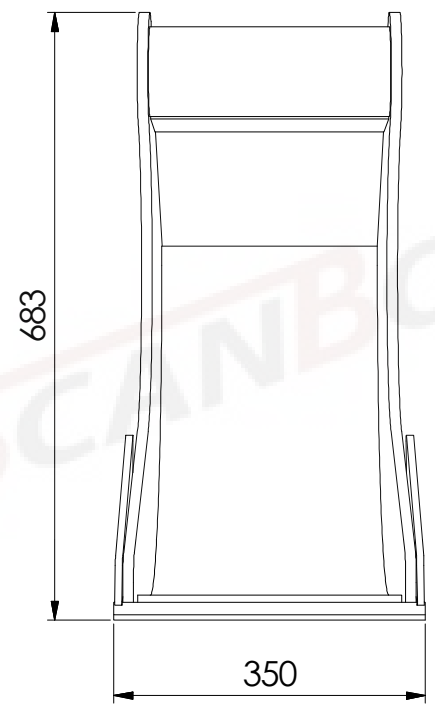
D

D



C

C








B

B

A

A

| MATERIAL SPECIFICATION   |                 |
|--|-----------------|
|  | ST52.3          |
|  | EN8D            |
|  | HB 400          |
|  | HB 450          |
|  | CASTALLOY STEEL |

| <b>SCANBOLT®</b> |                   |
|------------------|-------------------|
| DESCRIPTION      | 35 CM CLAY BUCKET |
| MACHINE CLASS    | 7.5T - 10 TON     |
| WEIGHT           | 110 Kg            |
| HEAPED CAPACITY  | 109 LITERS        |

8 7 6 5 4 3 2 1